

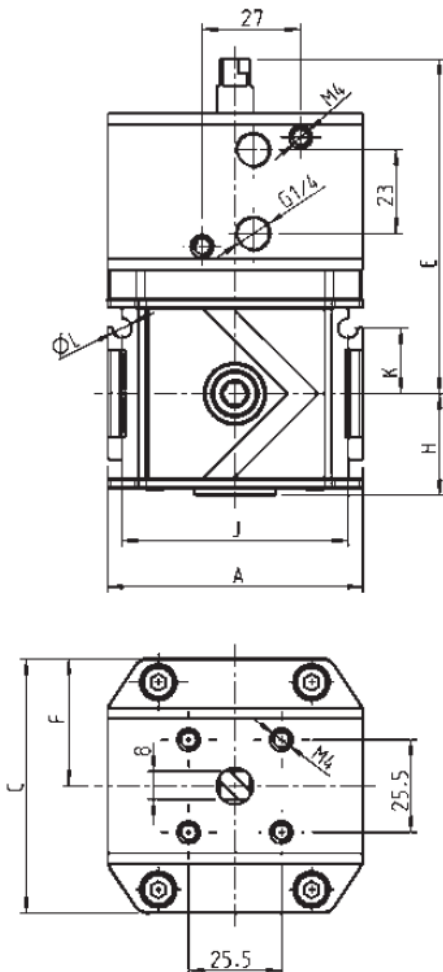
»variobloc« series

Used as the main shut-off element, especially for flanging onto the start of a variobloc service unit.
The variant with pneumatic drive (size 2) allows the use even in poorly accessible areas as a remote control.
With pressure relief and silencer.

Max. operating pressure	25 bar
Pilot pressure	5.6 to 7.4 bar
Max. ambient temperature	80 °C
Flow rate measurement	At P ₁ = 6 bar and pressure drop Δp = 1 bar

Ball valve (3/2-way) with pneumatic drive

Art. No.	Type No.	Thread	Size	Flow rate l/min
158058	VK 24-P	G 1/2	2	9000
158059	VK 25-P	G 3/4	2	11000
158060	VK 26-P	G 1	2	11000



Connection thread	G1/2, G3/4	G1**
	with pneum. gear	
A	70	125
B	120	120
C	70	70
D	-	-
E	92	92
F	35	35
H	28	28
J	62	62
K	18	18
L (ø)	5,4	5,4
M	-	-